

Debarbers

Primary Breakdown

Secondary Breakdown

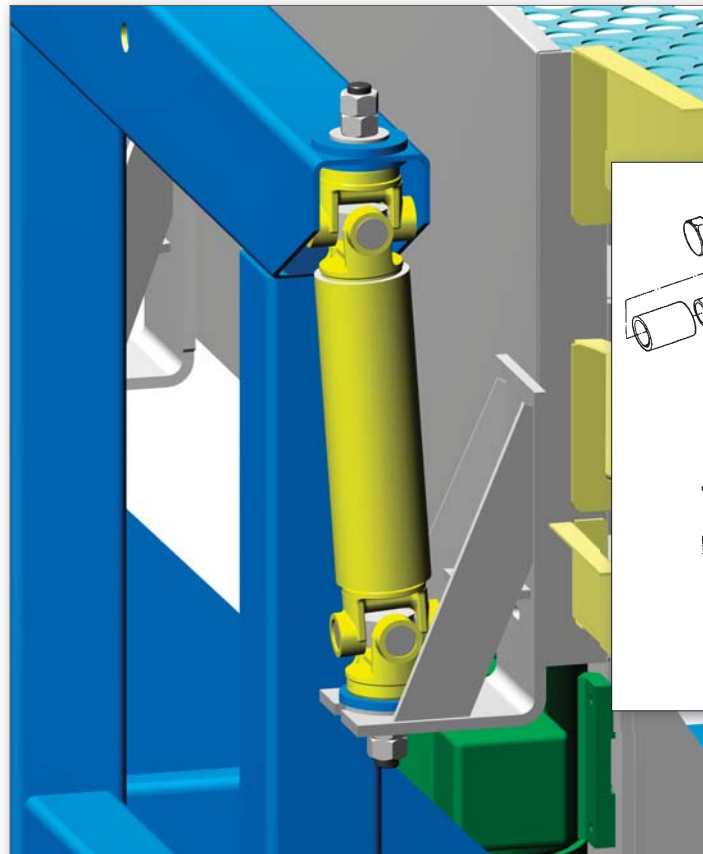
Lumber Handling

Planing Systems

Residual Processing

SUSPENSION ARM

CS Chipscreen Suspension Arm



- ▶ A tougher system with less replacement parts.
- ▶ Its durability is only surpassed by its simplicity.
- ▶ The same threaded forks are used for the top and bottom of the arms. Leveling of the basket is done with shims which eliminates the need for periodic adjustments.
- ▶ The threaded forks are linked to the arm body with universal joints instead of bushings, bearings and spacers.
- ▶ Maintenance is summed up by three (3) quick strokes of grease every forty (40) hours to lubricate the universal joints.
- ▶ Converting to our new CS chipscreen suspension arm system is quick and easy.